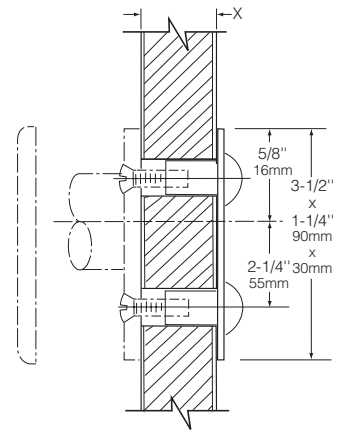
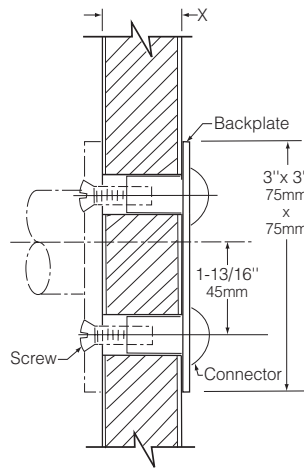


**For Installation of Grab Bar Through Toilet Partition Panel.
 One Anchor Required for Each Flange.**



For B-490 and B-6106 Series Grab Bars		For B-5806 and B-6806 Series Grab Bars	
Anchor No.	Partition Thickness X	Anchor No.	Partition Thickness X
2581	3/4" to 1" 19 to 25mm	2583	3/4" to 1" 19 to 25mm

MATERIALS:

Backplate — 18-8 S, type-304, 16-gauge (1.6mm) stainless steel with satin finish.

Screws — Anchor No. 2581: (3) 1/4-20 x 3/4" (M6-1 x 19mm) Phillips round-head stainless steel machine screws.

Connectors — Anchor No. 2581: (3) 1/4-20 (M6-1) threaded chrome-plated brass.
 Anchor No. 2583: (2) 1/4-20 (M6-1) threaded chrome-plated brass.

INSTALLATION:

Using grab bar as a template, mark toilet partition panel. Drill 7/16" (11mm) holes for connectors. Insert connectors through backplate and into holes in panel. Secure grab bar to connectors using screws furnished by manufacturer.

SPECIFICATION:

Grab bar anchors shall have type-304, 16-gauge (1.6mm), satin-finish stainless steel backplate. Threaded chrome-plated brass connectors shall be keyed to backplates to prevent rotation. Stainless steel machine screws shall be furnished by manufacturer. Manufacturer's service and parts manual shall be provided to the building owner/manager upon completion of project.

Grab Bar Anchors shall be Anchor No. _____ (insert anchor number) of Bobrick Washroom Equipment, Inc., Clifton Park, New York; Jackson, Tennessee; Los Angeles, California; Bobrick Washroom Equipment Company, Scarborough, Ontario; Bobrick Washroom Equipment Pty. Ltd., Australia; and Bobrick Washroom Equipment Limited, United Kingdom.