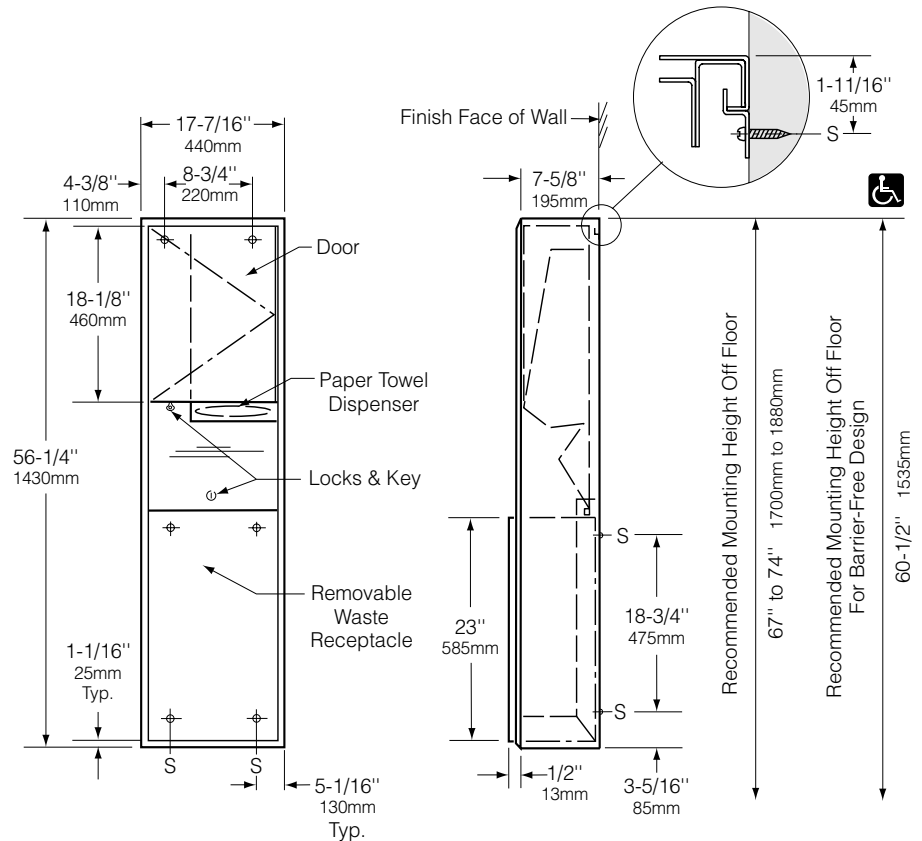




Technical Data

# SURFACE-MOUNTED PAPER TOWEL DISPENSER AND WASTE RECEPTACLE

# B-3909



## MATERIALS:

**Cabinet** — 18-8 S, type-304, heavy-gauge stainless steel. All-welded construction. Exposed surfaces have satin finish.

**Flange** — 18-8 S, type-304, 22-gauge (0.8mm) stainless steel with satin finish. Drawn and beveled, one-piece, seamless construction.

**Skirt** — 18-8 S, type-304, 22-gauge (0.8mm) stainless steel with satin finish.

**Door** — 18-8 S, type-304, 22-gauge (0.8mm) stainless steel with satin finish. Double-pan-back construction. Secured to cabinet with a full-length stainless steel piano-hinge. Equipped with a concealed tumbler lock keyed like other Bobrick washroom accessories.

**Paper Towel Dispenser** — 18-8 S, type-304, 22-gauge (0.8mm) stainless steel with satin finish. Rounded towel tray has hemmed opening to dispense paper towels without tearing. Capacity: 600 C-fold, 800 multifold, or 1100 singlefold paper towels.

**Waste Receptacle** — 18-8 S, type-304, 22-gauge (0.8mm) stainless steel with satin finish. Front and side edges of bottom and all top edges are hemmed for safe handling. Secured to cabinet with a tumbler lock keyed like other Bobrick washroom accessories. Equipped with interior hooks for optional vinyl liner. Capacity: 12 gal. (45.4 L).

## OPERATION:

Paper towel dispenser adjusts to accommodate width of C-fold, multifold, or singlefold paper towels by repositioning built-in adapter tabs in one of five slots. To empty waste receptacle, unlock with key provided. Liner cannot be removed unless waste receptacle is unlocked from cabinet. Reusable vinyl liners are available as an optional accessory: order Bobrick Part No. 3944-12.

continued . . .

**INSTALLATION:**

Mount unit on wall using six #8 x 1¼" (4.2 x 32mm) sheet-metal screws (not furnished) at points indicated by an S. For plaster or dry wall construction, provide concealed backing to comply with local building codes, then secure unit with sheet-metal screws. For other wall surfaces, provide fiber plugs or expansion shields for use with sheet-metal screws, or provide 1/8" (3mm) toggle bolts or expansion bolts. If unit projects above top of wainscot, provide aluminum channel or other filler to eliminate gap between unit and finish face of wall.

**SPECIFICATION:**

Surface-mounted paper towel dispenser and waste receptacle shall be type-304 stainless steel with all-welded construction; exposed surfaces shall have satin finish. Flange shall be drawn and beveled, one-piece, seamless construction. Door shall be secured to cabinet with a full-length stainless steel piano-hinge and equipped with a tumbler lock keyed like other Bobrick washroom accessories. Paper towel dispenser shall dispense 600 C-fold, 800 multifold, or 1100 singlefold paper towels. Removable waste receptacle shall be secured to cabinet with a tumbler lock keyed like other Bobrick washroom accessories, have front and side edges of bottom and all top edges hemmed for safe handling, and shall have a minimum capacity of 12 gal. (45.4 L). Manufacturer's service and parts manual shall be provided to the building owner/manager upon completion of project.

**Surface-Mounted Paper Towel Dispenser And Waste Receptacle shall be Model B-3909 of Bobrick Washroom Equipment, Inc., Clifton Park, New York; Jackson, Tennessee; Los Angeles, California; Bobrick Washroom Equipment of Canada Ltd., Scarborough, Ontario; Bobrick Washroom Equipment Pty, Ltd., Australia; and Bobrick Washroom Equipment Limited, United Kingdom.**