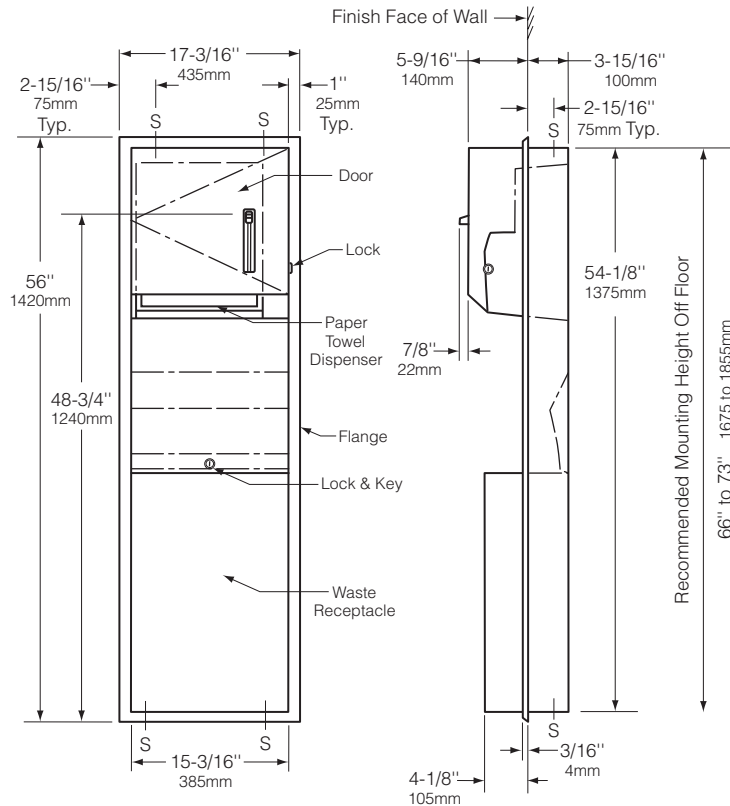


**RECESSED  
 ROLL-PAPER-TOWEL  
 DISPENSER AND  
 WASTE RECEPTACLE**

**B-3961**



**Rough Wall Opening**  
 16" (405mm) wide  
 54-3/4" (1390mm) high  
 4" (102mm) minimum  
 recessed depth

**MATERIALS:**

**Cabinet** — 18-8 S, type 304, heavy-gauge stainless steel. All-welded construction. Exposed surfaces have satin finish.

**Flange** — 18-8 S, type 304, 22-gauge (0.8mm) stainless steel with satin finish. Drawn and beveled, one-piece, seamless construction.

**Door** — 18-8 S, type 304, 22-gauge (0.8mm) stainless steel with satin finish. Secured to cabinet with a full-length stainless steel piano-hinge. Equipped with a tumbler lock keyed like other Bobrick washroom accessories.

**Roll-Paper-Towel Dispenser** — Enameled cold-rolled steel.

**Waste Receptacle** — 18-8 S, type 304, 22-gauge (0.8mm) stainless steel with satin finish. Front and sides of bottom and all top edges are hemmed for safe handling. Secured to cabinet with a tumbler lock keyed like other Bobrick washroom accessories. Equipped with interior hooks for optional vinyl liner. Capacity: 12 gal. (45.5 L).

**OPERATION:**

Roll-paper-towel dispenser delivers preset length of towel: 2-1/2", 4" or 5" (65, 100 or 125mm) per stroke of lever. Accepts standard-core roll 8" (205mm) wide, 800 feet (244 m) long. Automatic towel transfer eliminates paper towel outages and stub roll waste. Unit accepts a stub roll up to 4" (100mm) diameter, together with a new roll. When stub roll is used up, new roll automatically starts to dispense. Dispenser lever operates with one hand, without tight grasping, pinching, or twisting of the wrist, and with less than 5 pounds of force (22.2 N) to comply with barrier-free accessibility guidelines (including ADAAG in U.S.A.). To empty waste receptacle, unlock with key provided. Liner cannot be removed unless waste receptacle is unlocked from cabinet. Reusable Heavy-Gauge vinyl liners are available as an optional accessory: order Bobrick Part No. 3944-12.

continued . . .

**INSTALLATION:**

Provide framed rough wall opening 16" wide x 54-3/4" high (405 x 1390mm). Minimum recessed depth required to finish face of wall is 4" (102mm). Allow clearance for construction features that may protrude into opening from opposite wall. Coordinate with mechanical engineer to avoid pipes, vents, and conduits. If unit projects above top of wainscot, provide aluminum channel or other filler to eliminate gap between flange and finish face of wall. Mount cabinet with shims between framing and cabinet at all points indicated by an S, then secure unit with #8 x 1¼" (4.2 x 32mm ) sheet-metal screws (not furnished).

**SPECIFICATION:**

Recessed roll-paper-towel dispenser and waste receptacle shall be type 304 stainless steel with all-welded construction; exposed surfaces shall have satin finish. Flange shall be drawn and beveled, one-piece, seamless construction. Door shall be secured to cabinet with a full-length stainless steel piano-hinge and equipped with a tumbler lock keyed like other Bobrick washroom accessories. Towel mechanism shall be adjustable to dispense preset lengths of paper towels from standard-core rolls 8" (205mm) wide and shall feature automatic towel transfer that dispenses all of stub roll before starting new 800 ft (244-m) long roll. Lever shall be operable with one hand and with less than 5 pounds of force (22.2 N) to comply with barrier-free accessibility guidelines (including ADAAG in U.S.A.). Removable waste receptacle shall be secured to cabinet with a tumbler lock keyed like other Bobrick washroom accessories and shall have a minimum capacity of 12 gal. (45.5 L). Manufacturer's service and parts shall be provided to the building owner/manager upon completion of project.

**Recessed Roll-Paper-Towel Dispenser And Waste Receptacle shall be Model B-3961 of Bobrick Washroom Equipment, Inc., Clifton Park, New York; Jackson, Tennessee; Los Angeles, California; Bobrick Washroom Equipment Company, Scarborough, Ontario; Bobrick Washroom Equipment Pty. Ltd., Australia; and Bobrick Washroom Limited, United Kingdom.**