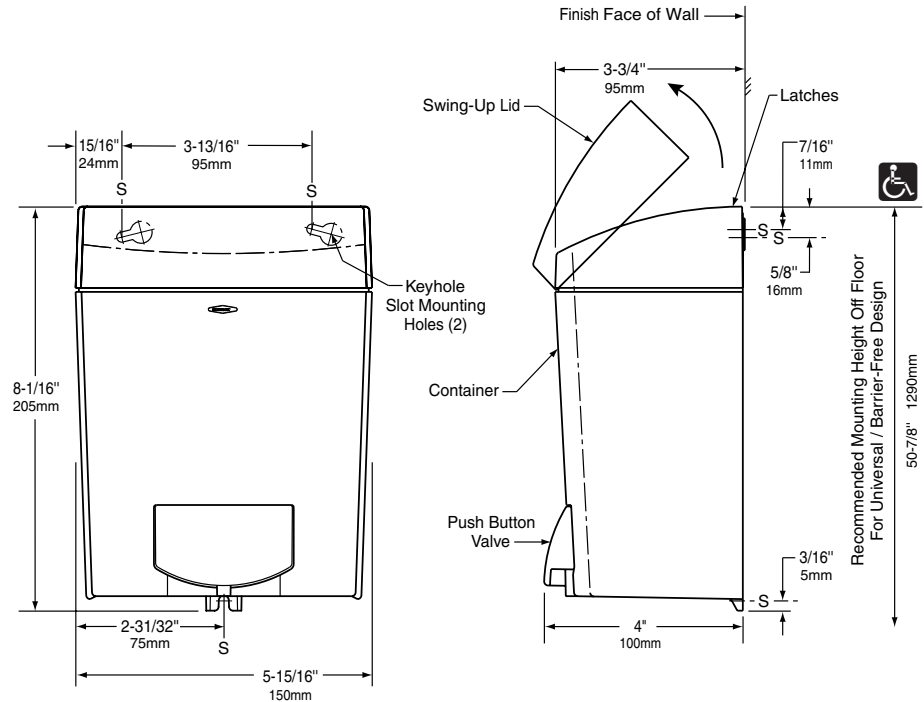




Patented



MATERIAL:

Valve — Durable, high-impact grey ABS push button and spout with high-gloss finish on exposed surfaces. Soap head-holding capsule valve. Stainless steel spring. U-packing seal and duckbill.

Container — Durable, impact-resistant grey polymer with high-gloss finish on exposed surfaces. Equipped with a concealed locking device to secure lid; keyed like other Bobrick washroom accessories. Front of container has same degree of arc as front of lid and other Bobrick Matrix Series washroom accessories. Radius on corners and edges of container complement corners and edges of lid and other Matrix Series accessories. Capacity: 50 fl oz (1.5 L).

Lid — Durable, impact-resistant grey polymer with high-gloss finish on exposed surfaces. Front of lid has same degree of arc as front of container and other Bobrick Matrix Series washroom accessories. Radius on corners, edges and top of lid complement corners and edges of container and other Matrix Series accessories.

OPERATION:

Corrosion-resistant valve dispenses commercially marketed all-purpose hand soaps. Valve is operable with one hand, without tight grasping, pinching, or twisting of the wrist, and with less than 5 pounds of force (22.2 N) to comply with barrier-free accessibility guidelines (including ADAAG in U.S.A.).

INSTALLATION:

Provide (3) #10 x 1-1/2" (4.8 x 38mm) sheet-metal mounting screws to mount the container on wall at points indicated by an S. For plaster or dry wall construction, provide concealed backing to comply with local building codes, then secure unit with sheet-metal screws. For other wall surfaces, provide fiber plugs or expansion shields for use with sheet-metal screws, or provide 1/8" (3mm) toggle bolts or expansion bolts. For mirrors or glass surfaces, use pressure-sensitive tape strips furnished by manufacturer: clean glass, apply both tape strips horizontally to back of container, press container onto glass surface, then allow the tape to set 24 hours before filling with soap.

continued . . .

To fill container, push furnished key down into slot at back of lid and lift off lid. To close the lid, hook bottom front of lid into recessed area located inside top front of container and rotate back of lid toward container. A snap will be heard when the lid is locked.

Note: Mount dispenser plumb and true with valve 6" (150mm) to right or left of lavatory center. Provide 6" (150mm) minimum clearance from lid to underside of any horizontal projection for top filling. Push buttons should be located 44" (1120mm) maximum above the finish floor.

SPECIFICATION:

Soap dispenser shall have durable, high-impact grey ABS valve. Container and lid shall be durable, impact-resistant grey polymer. All exposed surfaces shall have high-gloss finish. Vandal-resistant lid shall be secured to container with a concealed locking device keyed like other Bobrick washroom accessories. Lid shall pivot up from rear for top filling only after lock is disengaged with key provided. Front of soap dispenser shall have same degree of arc as other Bobrick Matrix™ Series accessories in the washroom. Radius on corners, edges and top of dispenser shall complement other Bobrick Matrix™ Series washroom accessories. Corrosion-resistant valve shall have soap head-holding capsule valve, stainless steel spring, U-packing seal, and duckbill; and shall dispense commercially marketed all-purpose hand soaps. Valve shall be operable with one hand and with less than 5 pounds of force (22.2 N) to comply with barrier-free accessibility guidelines (including ADAAG in U.S.A.). Container shall have a minimum capacity of 50 fl oz (1.5 L). Replacement part numbers shall be molded into unit. Manufacturer's service and parts manual shall be provided to the building owner/manager upon completion of project.

Soap Dispenser shall be Model B-5050 of Bobrick Washroom Equipment, Inc., Clifton Park, New York; Jackson, Tennessee; Los Angeles, California; Bobrick Washroom Equipment Company, Scarborough, Ontario; Bobrick Washroom Equipment Pty. Ltd., Australia; and Bobrick Washroom Equipment Limited, United Kingdom.