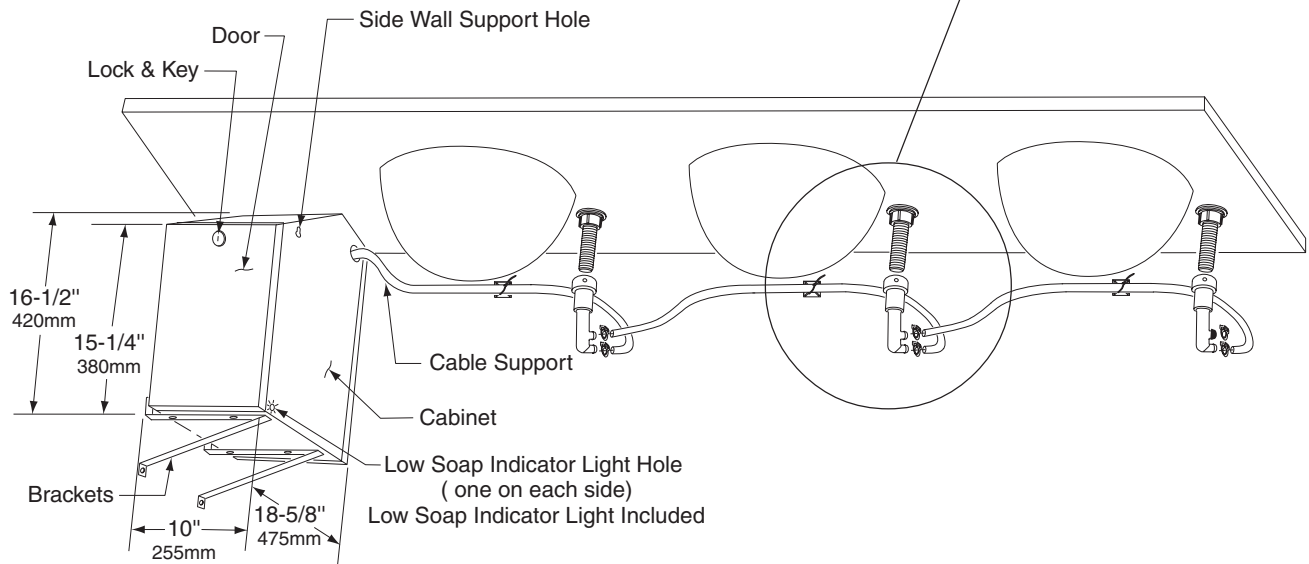
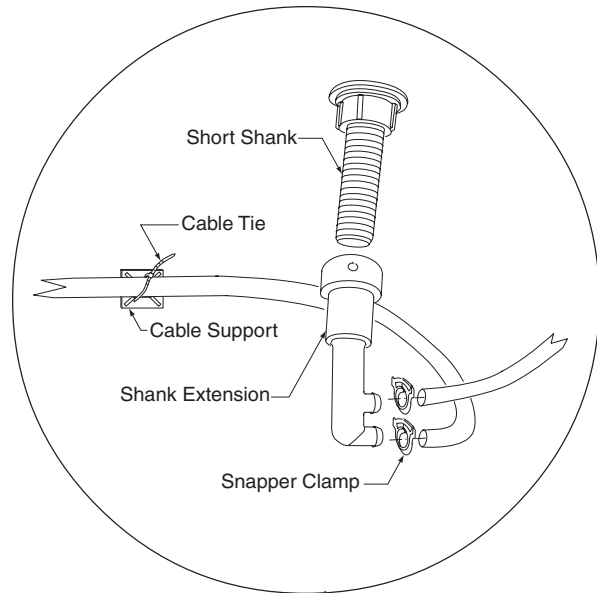


B-830 for 12-liter Soap Tank Cartridge



Patented



MATERIALS:

Soap Cabinet — 18-8 S, type-304, 20-gauge (0.9mm) stainless steel. All-welded construction, with a side hole on each side for Low Soap Indicator Light. Exposed surfaces have #2B finish.

Soap Cabinet Door — 18-8 S, type-304, 22-gauge (0.8mm) stainless steel. Exposed surfaces have #4 satin finish. Secured to cabinet with a full-length stainless steel piano-hinge. Equipped with a tumbler lock keyed like other Bobrick washroom accessories.

Soap Reservoir Module — 18-8 S, type-304, 22-gauge (0.8mm) stainless steel. Permanent vinyl reservoir. Capacity: 0.5 gal. (2.0 L).

Free-Turning Swivel Assembly — High-strength antibacterial soap-resistant plastic.

Soap Supply Tubing — High-strength antibacterial soap-resistant plastic.

continued . . .

OPERATION:

Large-capacity, multi-lavatory soap dispensing system connects up to five existing or new Bobrick B-822 Series Lavatory-Mounted Soap Dispensers *specified and furnished separately*. Soap cabinet can be mounted to the left, right, or rear wall, under the countertop or in a janitor's closet. Soap cabinet can accommodate a 12-liter SureFlo Soap Tank Cartridge, "Tank-In-A-Box™" providing 13,000+ (12 liters) hand washes. After soap tank cartridge empties completely, soap is delivered from a 2-liter reservoir that provides an additional 2,000+ hand washes. Red Low Soap Indicator light flashes when soap cartridge is empty and system is using reserve supply. SureFlo Soap Dispensing System eliminates frequent refilling of single dispensers, while reducing maintenance time and cost. Sealed system prevents air contamination of soap and allows system to remain primed when replacing empty SureFlo Soap Tank Cartridge. A specially designed swivel assembly is provided to allow the B-822 Series soap dispenser spout to rotate 360° and remain sealed. Guarantee: Bobrick B-822 Series Lavatory-Mounted Soap Dispensers are guaranteed to dispense soap under normal use and maintenance when there is continuous, non-interrupted use of Bobrick SureFlo Soaps. This guarantee is limited to the repair or exchange of defective parts at the option of Bobrick and does not include labor charges to remove or reinstall soap dispenser(s) or parts. This guarantee is void by misuse or vandalism of the soap dispenser, and if soaps other than Bobrick's are used in the soap dispensers or soap system.

Designer's Notes:

1. Order the following items as listed below:
 - a. Existing B-822 installed: B-830 Cabinet
830-141 Connector Kit (1 per soap dispenser)
 - b. New installation: B-830 Cabinet
830-141 Connector Kit (1 per soap dispenser)
830-159 B-822 pump with Swivel Assembly and Shank
 - c. For countertops 1-3/4" or thicker order 830-210 (Extended swivel assembly for full length B-822 shanks, One per soap dispenser).
2. Up to a maximum of five lavatory-mounted soap dispensers may be connected to one Bobrick SureFlo Soap Dispensing System Soap Cabinet. Bobrick SureFlo Soaps have been formulated to provide maximum dispensing operation.

SureFlo™ Soap Tank Cartridges	
Description	12 liter
Pink Lotion Cleanser	B-81212
Premium Gold	B-81312

INSTALLATION:

1. Allow minimum 10" (255mm) horizontal clearance from sidewall to first adjacent lavatory.
2. Allow clearance in front of the soap cabinet for the door to open downward and clear counter top to allow Soap Tank Cartridge to be removed and replaced.
3. If Soap Cabinet is installed below a Soap Dispenser, avoid interference between top of Soap Cabinet and Soap Dispenser Shank and Shank Extension by:
 - a. Allowing 7" (180mm) vertical clearance between top of counter and top of Soap Cabinet, or
 - b. Install Soap Cabinet on:
 - 1) Opposite side wall, or
 - 2) Rear wall.

CAUTION: The following instructions are a general guide only. Detailed instructions for installation. Form No. 830-469, is packed with each shipment and available in advance on request.

Provide backing in wall as specified in accordance with local building codes. Attach cabinet brackets with four screws or toggle bolts.

- Plaster or dry wall on studs — #12 x 2" (M5.5 x 50mm) sheet metal screws furnished.
- Solid concrete or brick walls — #12 x 2" (M5.5 x 50mm) sheet metal screws and plastic anchors, not furnished.
- For dry wall or concrete block wall — 3/16" x 3" toggle bolts with expander wing nut, furnished.

Connect B-822 Series soap dispensers to SureFlo Soap Dispensing System Cabinet and soap dispenser conversion kit model no. 830-141 per Installation Instructions Form Nos. 830-469 and 830-168 respectively.

SPECIFICATION:

Lavatory-mounted soap dispensing system cabinet shall be type-304 stainless steel with all welded construction. Door shall have satin finish and be secured to cabinet with a full-length stainless steel piano-hinge and equipped with a tumbler lock keyed like other Bobrick washroom accessories. System shall be capable of dispensing soap from a 12-liter tank cartridge to a maximum number of five soap dispensers. To ensure continuous soap supply, system shall have a 2-liter reservoir from which soap is automatically supplied when SureFlo Soap Tank Cartridge is empty. System shall be a sealed system to prevent air contamination of soap and to allow system to remain primed when replacing empty soap tank cartridge. A swivel assembly shall be provided for each dispenser connection to allow the dispenser to rotate 360° without losing its airtight seal. System shall easily be convertible back to individual B-822 Series soap dispensers. Bobrick B-822 Series Lavatory-Mounted Soap Dispensers are guaranteed (in accordance with the terms of the guarantee printed on the installation instructions, and technical data sheet) when there is continuous, non-interrupted use of Bobrick SureFlo Soaps.

Bobrick SureFlo™ Soap Dispensing System Soap Cabinets, Soap Dispensers and connections are available from all Bobrick Distributors. Bobrick SureFlo™ Soap is available only from limited authorized Bobrick SureFlo™ Soap Dispensing System Distributors.

Lavatory-Mounted Soap Dispensing System shall be Model B-830 of Bobrick Washroom Equipment, Inc., Clifton Park, New York; Jackson, Tennessee; Los Angeles, California; Bobrick Washroom Equipment Company, Scarborough, Ontario; Bobrick Washroom Equipment Pty. Ltd., Australia; and Bobrick Washroom Equipment Limited, United Kingdom.